

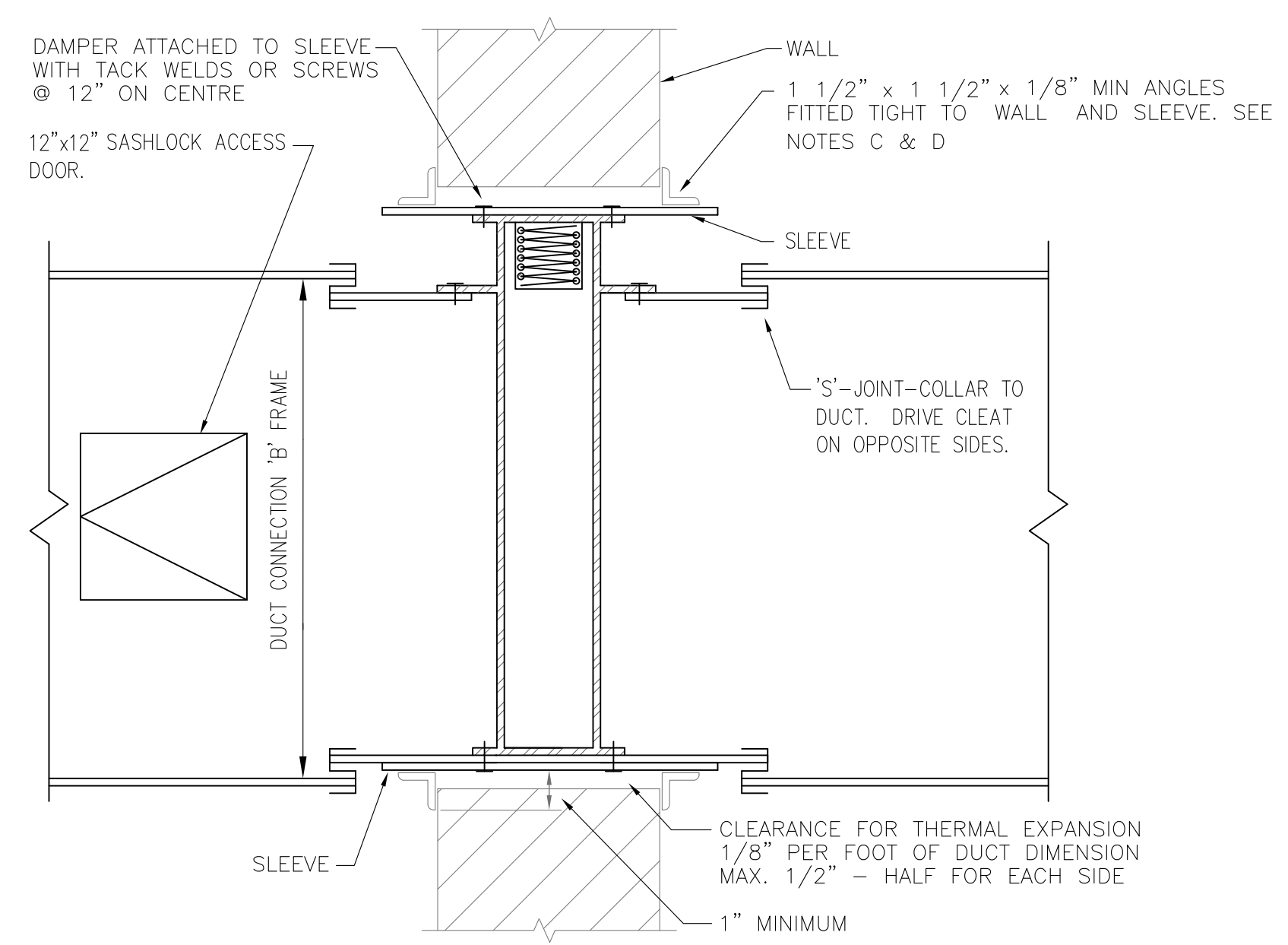
1 MAIN FLOOR PLAN - HVAC
SCALE: 1/4"=1'-0"

GENERAL NOTES:

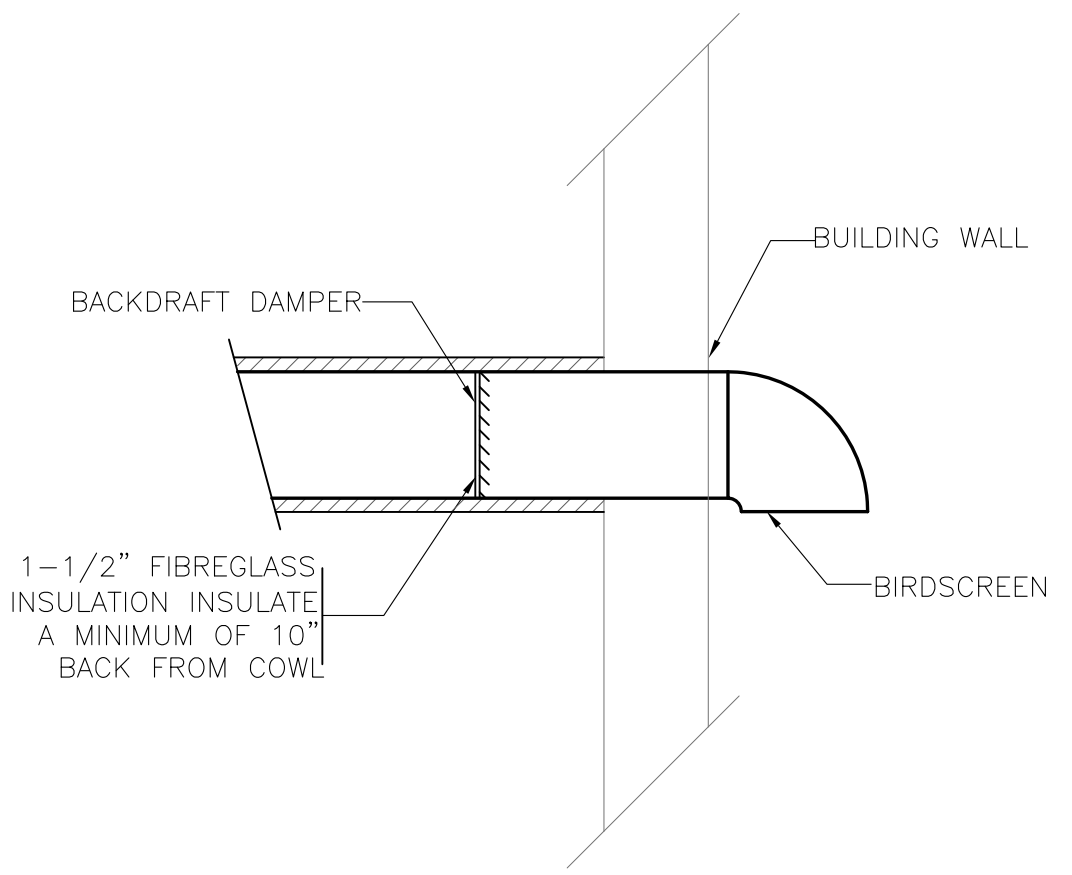
1. COORDINATE EXACT LOCATIONS OF ALL GRILLES AND DIFFUSERS WITH ARCHITECTURAL DRAWINGS AND CONFIRM ON SITE.
2. CO-ORDINATE ALL TRADES SO AS TO MINIMIZE CONFLICTS.
3. REFER TO ELECTRICAL DRAWINGS FOR ELECTRICAL BASEBOARD HEATERS, FORCE FLOW HEATERS AND UNIT HEATER.
4. PROVIDE FIRE STOPPING ON PIPE FIRE SEPARATION PENETRATIONS.

DRAWING NOTES:

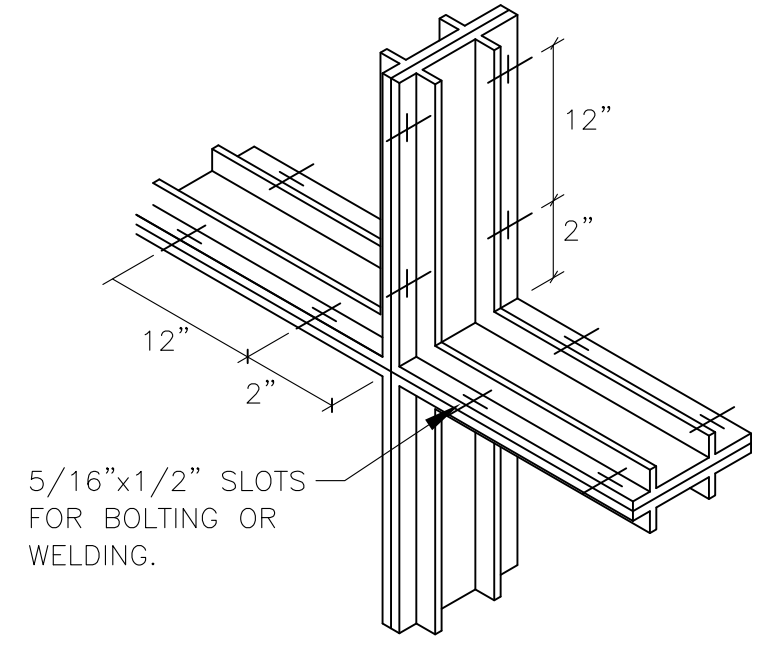
- 1 RUN EXHAUST DUCT TIGHT TO UNDERSIDE OF CEILING.
- 2 MAIN EXHAUST DUCT UP TO MECHANICAL CONTAINER.
- 3 CONNECT TO SUPPLY AIR DUCT ABOVE.
- 4 PROVIDE AIR TRANSFER GRILLES, ONE AT HIGH LEVEL AND ONE AT LOW LEVEL.
- 5 EXTEND EXHAUST DUCT INTO PLUMBING WALL AND PROVIDE VENTILATION TO PLUMBING WALL TO MAINTAIN TEMPERATURE INSIDE PLUMBING WALL, BALANCE TO 50CFM.



VERTICAL TYPE "B" FIRE DAMPER INSTALLATION DETAIL



3 WALL CAP DETAIL
SCALE: N.T.S.



JOINING OF MULTIPLE SECTIONS

- NOTES:
- A. SLEEVE MAY BE SAME GAUGE AS DUCT WHEN "S" AND DRIVE CONNECTIONS ARE USED.
 - B. INSTALLATION TO CONFORM TO N.F.P.A. 90A AND AUTHORITY HAVING JURISDICTION.
 - C. WHERE ANGLES ARE ATTACHED TO SLEEVE A MIN. OF 2 FIXINGS ON EACH SIDE AT A MAX. OF 12" CENTRES MUST BE USED.
 - D. MAX. SIZE OF ULC LABELLED F.D.'S ARE:
MOUNTING INDIVIDUAL ASSEMBLY
VERTICAL 60"x48" 120"x72"
- IF OPENING SIZE EXCEEDS ABOVE DIMENSIONS THEN DAMPER TO BE FITTED IN UNITS WITH MULLION BETWEEN.

2 DYNAMIC FIRE DAMPER DETAIL (TYPE "B" VERTICAL)
SCALE: N.T.S.



DJK MECHANICAL ENGINEERING INC.
(MECHANICAL ENGINEERING)
26 YORKVALLEY WAY
WINNIPEG MANITOBA
Telephone: (204) 774-7822
FAX: (204) 774-7822
EMAIL: DJKeng1@SHAW.CA
www.DJKmechanicalengineering.ca

Project:
COMMUNITY PUBLIC WASHROOM
715 MAIN STREET WINNIPEG MB

Project Number: 20046
Drawing Title:
MAIN FLOOR PLAN -
HVAC

Issue/Revision Date
1. ISSUED FOR CONSTRUCTION 01/03/21

Sheet No: M-3